



ES12-RS/ES15-RS Electric Stacker 1.2/1.5t

Innovative Design, Simple & Reliable;
Easy Operation with EPS System;
Higher Reliability and Lower Failure Rate.



CRANES - MACHINERY - PARTS

ALEXANDROS SPATHARAS COMPANY
CRANES - MACHINERY - SPARE PARTS

41, Iasonidou Str.

GR-56334 Thessaloniki, GREECE

N. Kordelio - Eleftheria

Tel: +30 2310 709155

Fax: +30 2310 709989

www.spatharas.eu

FEATURE



Performance

- The innovative AC system offers strong power, accurate control, excellent performance.
- High strength vertical gearbox, longer working life.
- Low-noise but durable hydraulic unit, good quality cylinder as well as hose ensure the high reliability of hydraulic system.
- AMP connector and durable electric wires greatly reduce malfunctions of components.
- Durable design of one piece welded chassis and mast create more reliable intensity.



Safety

- Safe hydraulic system design prevents mast from falling down abruptly when hydraulic pipeline cuts off.
- Emergency reverse belly button protects the operator from getting hurt.
- Emergency disconnecter will cut off power source to avoid accident when truck goes out of control.
- Multiple lifting limit protection ensures safety.
- Automatic switch to lower speed when the fork reaches its setting height.
- Anti-rolling back brake keeps the truck from skidding down when truck is out of control or travelling on ramp.
- Dual-monitoring power steering.

Operation

- With the new design of ergonomical tiller head, all buttons can be reached conveniently & comfortably.
- Foldable platform reduces vibration which makes operator feel more comfortable.
- When platform is folded, truck can work at low speed in smaller space.
- Electric power steering, smooth & comfortable (EPS).

Maintenance

- AC traction motor, maintenance free.
- Hour meter and battery indicator remind the operator of battery charging.
- Easily remove the back cover by only losing two bolts; Access to all key components for inspection, maintenance and replacement.
- Easy access for battery maintenance.
- Vertical motor makes the inspection & service much more convenient.
- Control system allows easy trouble-shooting.
- Low voltage lift cut off design protects the battery.

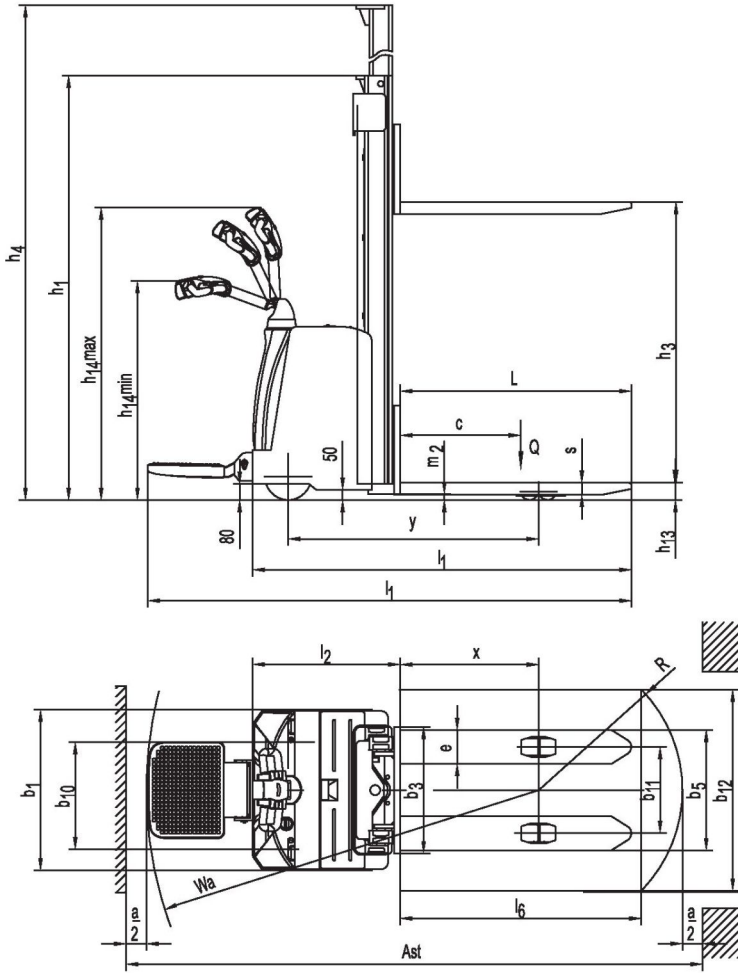
Electric Stacker 1.2/1.5t ES12-RS/ES15-RS

Distinguishing mark					
1.1	Manufacturer		EP	EP	
1.2	Model designation		ES12-RS	ES15-RS	
1.3	Drive unit		Electric	Electric	
1.4	Type of operation		standing	standing	
1.5	Rated capacity	Q	kg	1200	1500
1.6	Load center distance	c	mm	600	600
1.8	Load distance, centre of drive axle to fork	x	mm	690	690
1.9	Wheelbase	y	mm	1245	1245
Weight					
2.1	Service weight (include battery)		kg	960	985
2.2	Axle loading, laden driving side/loading side		kg	795/1365	843/1642
2.3	Axle loading, unladen driving side/loading side		kg	660/300	676/309
Types, Chassis					
3.1	Tyre type Driving wheels/Loading wheels			PU/ PU	PU/ PU
3.2	Tyre size, driving wheels (diameter×width)		mm	Φ230x75	Φ230x75
3.3	Tyre size, loading wheels (diameter×width)		mm	Φ85x70	Φ85x70
3.4	Tyre size, caster wheels (diameter×width)		mm	Φ130x55	Φ130x55
3.5	Wheels, number driving, caster/loading (x=drive wheels)		mm	1x+ 1/ 4	1x+ 1/ 4
3.6	Track width, front, driving side	b ₁₀	mm	533	533
3.7	Track width, rear, loading side	b ₁₁	mm	380	380
Dimensions					
4.1	Tilt of mast/fork carriage forward/backward	α/ β	°		
4.2	Height, mast lowered	h ₁	mm	1962	1962
4.3	Free lift	h ₂	mm	100	100
4.4	Lift height	h ₃	mm	2930	2930
4.5	Height, mast extended	h ₄	mm	3400	3400
4.9	Height drawbar in driving position min./max.	h ₁₄	mm	1150/ 1480	1150/ 1480
4.10	Height of wheel arms	h ₉	mm		
4.15	Lowered height	h ₁₃	mm	88	88
4.19	Overall length	l ₁	mm	1975/ 2405	1975/ 2405
4.20	Length to face of forks	l ₂	mm	560	560
4.21	Overall width	b ₁	mm	800	800
4.22	Fork dimensions	s/ e/ l	mm	60/ 170/ 1150	60/ 170/ 1150
4.24	Fork carriage width	b ₃	mm	630	630
4.25	Distance between fork-arms	b ₆	mm	550	550
4.32	Ground clearance, center of wheelbase	m ₂	mm	28	28
4.34.1	Aisle width for pallets 1000 × 1200 crossways	Ast	mm	2445/2828	2445/2828
4.34.2	Aisle width for pallets 800 × 1200 lengthways	Ast	mm	2420/2803	2420/2803
4.35	Turning radius	Wa	mm	1571/1954	1571/1954
Performance data					
5.1	Travel speed, laden/ unladen		km/ h	5.0/5.5	5.0/5.5
5.2	Lifting speed, laden/ unladen		m/ s	0.14/0.22	0.14/0.22
5.3	Lowering speed, laden/ unladen		m/ s	0.18/0.2	0.18/0.2
5.8	Max. gradeability, laden/unladen		%	8/16 ①	8/16 ①
5.10	Service brake type			Electromagnetic	Electromagnetic
Electric-engine					
6.1	Drive motor rating S2 60 min		kW	1.6	1.6
6.2	Lift motor rating at S3 15%		kW	2.2	3
6.3	The maximum allowed size battery		mm	750x525x175	750x525x175
6.4	Battery voltage/nominal capacity K5		V/ Ah	24/ 160	24/ 210
6.5	Battery weight		kg	165	190
Addition data					
8.1	Type of drive unit			AC ZAPI	AC ZAPI
10.5	Steering type			electric	electric
10.7	Sound pressure level at the driver's ear			74	74

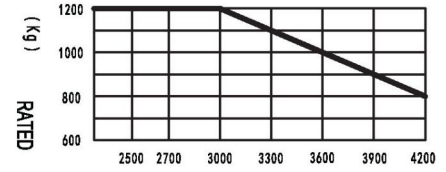
1.The parameters in the table are of the standard model. For more information, please contact us.

2.The parameters are subject to change without notice.

① This parameter is only representative of the vehicle climbing performance, actually depends on the ramp and through the left ramp angle design.

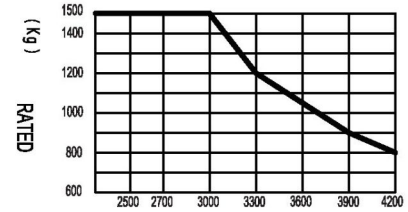


RATED CAPACITIES GRAPH



ES12-RS LIFT HEIGHT (mm)

RATED CAPACITIES GRAPH



ES15-RS LIFT HEIGHT (mm)

Mast Option

mast types	Lift h3+h13 (mm)	Lowered mast height h1	Free lift h2 (mm)	Extended mast height h4
Duplex ZT	2510	1712	100	2900
	2710	1812	100	3100
	3010	1962	100	3400
	3310	2112	100	3700
	3610	2262	100	4000
	3910	2412	100	4300
	4170	2542	100	4560

Option

Option	ES12-RS	ES15-RS
Standard Fork length	●1220mm	●1220mm
mast screen	●organic glass	●organic glass
Driving wheel	●Rubber wheel/Pu wheel with pattern	●Rubber wheel/Pu wheel with pattern
High capacity battery	●165Ah	●210Ah
lateral battery change	●	●
cold storage	●	●
battery indicator without hour meter	●	●
proportional lifting	●	●
Vertical handler working	●	●
auto-filling water system	●	●
safe guard	●	●