

SL50WN

This machine offers tremendous stability and is Shantui's best seller.

- ▶ Engine model: Weichai WD10G220E23
- ▶ Rated power: 162 kW/2000 rpm
- ▶ Operating weight: 17.1 t

Product features

This series is Shantui's best-selling wheel loader. It offers tremendous stability and has pilot controls designed for reduced work intensity and increased safety and comfort for the operator. It has an advanced Z-type reverse tipping mechanism with large breakout force and high efficiency. It also has the latest in dual pump (combined) technology to improve fuel savings and work efficiency. The "3" stands for third generation, and it comes standard with a weichai engine.

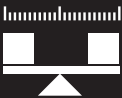



SL50WN


Technical specifications:


	Standard Arm	Extended Arm	Long Arm
Overall length	8025 mm	8135 mm	8450 mm
Overall width	3026 mm	3026 mm	3026 mm
Overall height	3410 mm	3410 mm	3410 mm


SL50WN

 GENERAL SPECIFICATIONS	Operating weight (Standard arm/Extended/Long)	17100/17180/17900 kg		
	Related loading	5000 kg		
	Bucket capacity	3.0 m ³		
	Maximum lifting force	185 kN		
	Static tipping load (full turn)	10000 kg		
	Dumping height, Standard/Extended/Long	3200/3330/3700 mm		
	Dumping reach, Standard/Extended/Long	1230/1230/1270 mm		

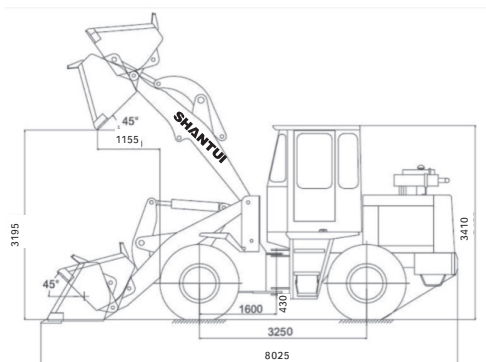
 ENGINE	Engine model	WD10G220GE23	SC11CB220G2B1	6CTA8.3-C215
	Type	In-line, water-cooled, 4-cylinder, direct injection, turbocharged		
	Rated power	162 kW	162 kW	160 kW
	Rated speed	2000 rpm	2200 rpm	2200 rpm
	Displacement	9.73 L	10.45 L	8.3 L
	Maximum torque	900/1300-1500 N-m/rpm	920/1400 N-m/rpm	908/1500 N-m/rpm
	Minimum fuel consumption	215 g/kW-h	230 g/kW-h	202 g/kW-h

 TRAVEL SPEED	Gear	1st	2nd	3rd	4th
	Forward	0~13 km/h	0~38 km/h	-	-
	Reverse	0~17 km/h	-	-	-

 AXLES AND FINAL DRIVES	DRIVE SYSTEM		Four-wheel drive
	Gradeability		30°
	Maximum traction		160 kN
	BRAKE SYSTEM:	Service brakes	Air over oil four-wheel dual-loop disc brake system
		Parking brake	Automatically air-cut brake, disc brake
	STEERING SYSTEM:	Type	Articulated type, full-hydraulic power steering
		Maximum steering angle	35° each direction
		The center of outside tire	6290 mm
		The center of outside bucket	7260 mm
	TIRES	Type	23.5-25 16PR
		Pattern level	L3
		Center distance of tires	2250 mm
Wheel base		3250 mm	

 HYDRAULIC SYSTEM	Hydraulic cycle time (rated load in bucket)	Lifting time/ Lifting, dumping and lowering	5.6/10.6 s

OVERALL DIMENSIONS



▶ THE SPECIFICATIONS ARE SUBJECT TO CHANGE WITHOUT NOTICE. THE PICTURES MAY INCLUDE OPTIONS. THE ACTUAL COLOR & APPEARANCE OF THE PRODUCT MAY DIFFER FROM WHAT IS SHOWN.

