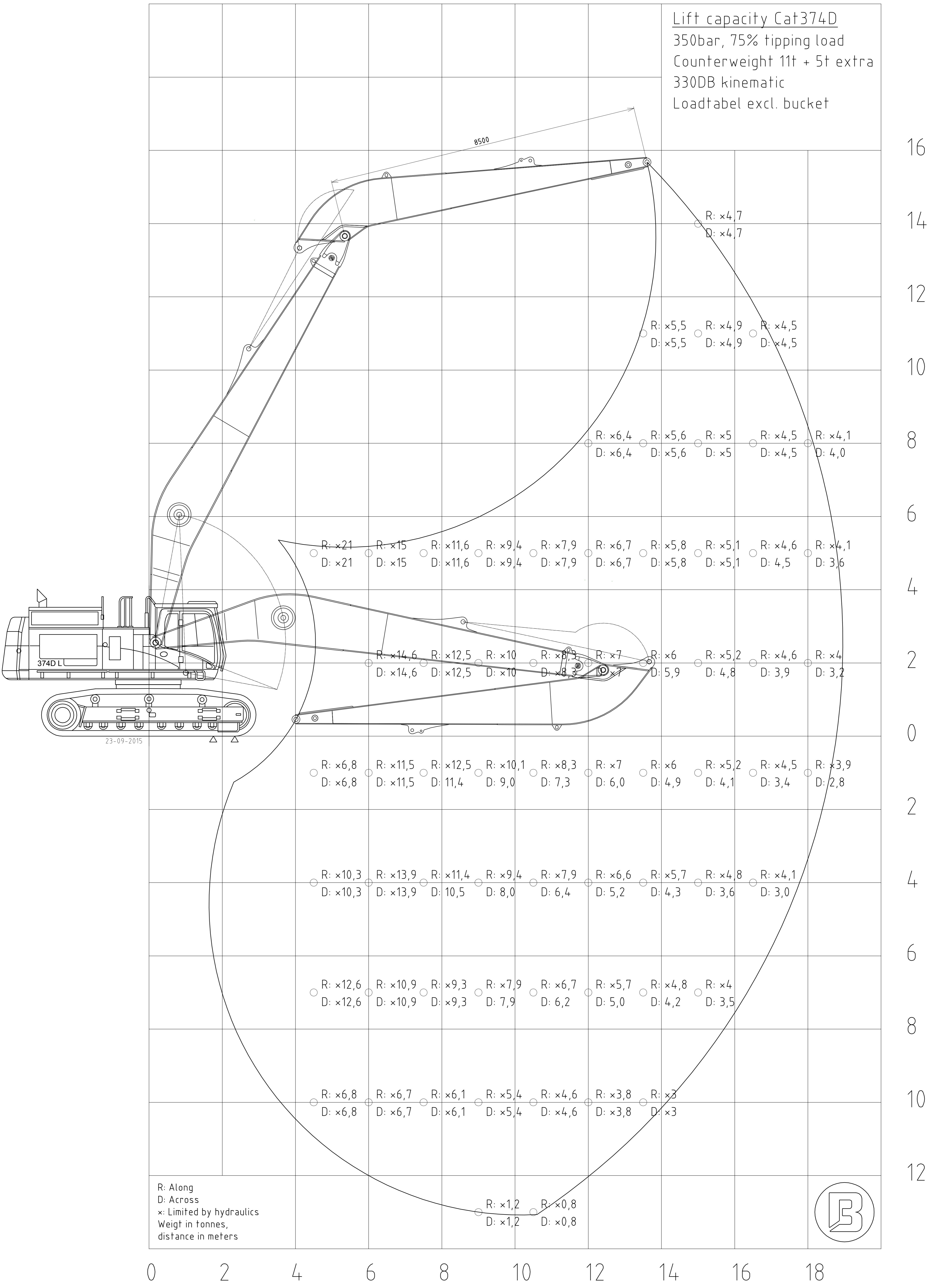


Lift capacity Cat374D
 350bar, 75% tipping load
 Counterweight 11t + 5t extra
 330DB kinematic
 Loadlabel excl. bucket



R: Along
 D: Across
 x: Limited by hydraulics
 Weight in tonnes,
 distance in meters

