



NCT

EPT20-20RA(S)
EPT20-20RASH
EPT25-25RAS
Electric Pallet Truck 2.0/2.5t

Ideal Option for Heavy Duty Long Distance Material Handling Tasks;
Driving Wheel Pressure Auto-compensation Patent Design Makes Operation Comfortable & Smooth;
Dual-Monitoring Electric Steering Offers Safer and Simpler Operations;
Driving Speed up to 12KM/H Greatly Improves the Efficiency of Long-distance Job.

FEATURE



Safety

- Two travel speed improves operator safety, with half speed when protection arm off and full speed when protection arm on.
- Emergency reverse belly button protects the operator from getting hurt.
- Emergency disconnecter will cut off power source to avoid accident when truck goes out of control.
- Anti-rolling back brake keeps the truck from skidding down when truck is out of control or travelling on ramp.
- Dual-monitoring power steering, the top safety design (electric steering).

Operation

- With the new design of ergonomical tiller head, all buttons can be reached conveniently & comfortably.
- Foldable platform reduces vibration which make operator comfortable when driving.
- Unique suspension driving floating system (DFA) design, make the operation easy and comfortable.
- When platform is folded, truck can work at low speed in smaller space.
- Ergonomical armrest guarantees easy operation & good resistance.
- Electric power steering, smooth & comfortable (EPS).

Performance

- The innovative AC system offers strong power, accurate control and excellent performance.
- High strength vertical gearbox provides reliable uptime.
- Low-noise and durable hydraulic unit, high quality cylinder as well as hose ensure the high reliability of hydraulic system.
- AMP connector and durable electric wires greatly reduce malfunctions of components.
- One-time formed fork, box type frame and adjustable linkage extends the life of undercarriage.
- Innovative Drive floating operation system (DFA) ensures the stability of the truck when steering at high speed.

Maintenance

- AC traction motor, maintenance free.
- Hour meter and battery indicator remind the operator of battery charging.
- Easily remove the back cover by only loosening four bolts; Access to all key components for inspection, maintenance and replacement.
- Easy access for battery maintenance.
- Vertical motor makes the inspection & service much more convenient.
- Control system allows easy trouble-shooting.
- Low voltage lift cut off design protects batteries.

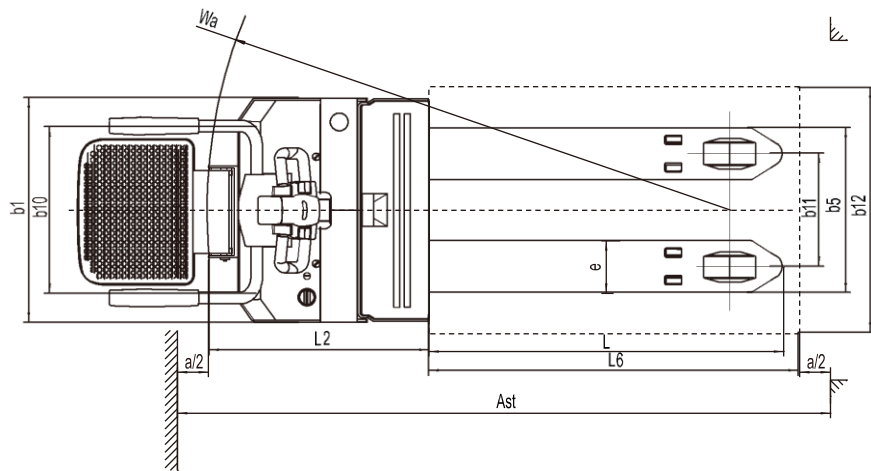
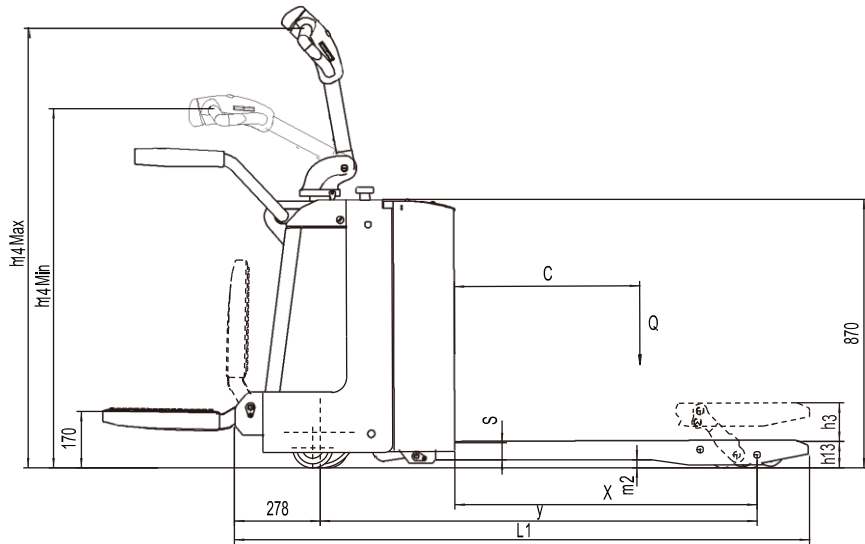


Electric Pallet Truck 2.0/2.5t EPT20-20RA(S) (H)/EPT25-25RAS

Distinguishing mark						
1.1	Manufacturer			EP		EP
1.2	Model designation			EPT20-20RA (S)		EPT25-25RAS
1.3	Drive unit			Electric		Electric
1.4	Type of operation			standing		standing
1.5	Rated capacity	Q	kg	2000		2500
1.6	Load center distance	c	mm	600		600
1.8	Load distance	x	mm	916 / 982	937 / 1003	916 / 982 937 / 1003
1.9	Wheelbase	y	mm	1418	1438	1418 1438
Weight						
2.1	Service weight (include battery)		kg	670		690
2.2	Axle loading, laden driving side/loading side		kg	1066 / 1604		1176 / 2014
2.3	Axle loading, unladen driving side/loading side		kg	546 / 124		556 / 134
Types, Chassis						
3.1	Tyre type driving wheels/loading wheels			Polyurethane / Polyurethane		Polyurethane / Polyurethane
3.2	Tyre size, driving wheels (diameter*width)		mm	Φ230x75		Φ230x75
3.3	Tyre size, loading wheels (diameter*width)		mm	Φ85x70 / Φ83x115		Φ85x70 / Φ83x115
3.4	Tyre size, caster wheels (diameter*width)		mm	Φ130x60		Φ130x60
3.5	Wheels, number driving / caster/loading (x=drive wheels)		mm	1 x +2 / 4 / 1 x + 2 / 2		1 x +2 / 4 / 1 x + 2 / 2
3.6	Track width, front, driving side	b ₁₀	mm	510		510
3.7	Track width, rear, loading side	b ₁₁	mm	370 / 430 / 515		370 / 430 / 515
Dimensions						
4.4	Lift height	h ₃	mm	125		125
4.9	Height drawbar in driving position min./max.	h ₁₄	mm	1150 / 1470		1150 / 1470
4.15	Lowered height	h ₁₃	mm	85		85
4.19	Overall length	l ₁	mm	1860	1930	1860 1930
4.20	Length to face of forks	l ₂	mm	710		710
4.21	Overall width	b ₁ / b ₂	mm	730		730
4.22	Fork dimensions	s / e / l	mm	55 x 170 x 1150	55 x 170 x 1220	55 x 170 x 1150 55 x 170 x 1220
4.25	Distance between fork-arms	b ₅	mm	540 / 600 / 685		540 / 600 / 685
4.32	Ground clearance, center of wheelbase	m ₂	mm	30		30
4.34.1	Aisle width for pallets 1000 × 1200 crossways	Ast	mm	1984		1984
4.34.2	Aisle width for pallets 800 × 1200 lengthways	Ast	mm	2184		2184
4.35	Turning radius	Wa	mm	1700		1700
Performance data						
5.1	Travel speed, laden/ unladen	km/ h	km/h	5.5 / 6		5.5 / 6
5.2	Lifting speed, laden/ unladen		m/ s	0.051 / 0.060		0.055 / 0.060
5.3	Lowering speed, laden/ unladen		m/ s	0.032 / 0.039		0.030 / 0.039
5.8	Max. gradeability, laden/unladen			8 / 16		6 / 16
5.10	Service brake type			Electromagnetic		Electromagnetic
Electric-engine						
6.1	Drive motor rating S2 60 min		kW	1.5		1.5
6.2	Lift motor rating at S3 15%		kW	0.84		0.84
6.3	The maximum allowed size battery		mm	660 × 205 × 660		660 × 205 × 660
6.4	Battery voltage/nominal capacity K5		V/Ah	24 / 210		24 / 240
6.5	Battery weight		kg	190		190
Addition data						
8.1	Type of drive control			AC		AC
10.5	Steering type			Mechanical/Electronic		Electronic
10.7	Sound pressure level at the driver's ear			74		74

1.The parameters in the table are of the standard model. For more information, please contact us.
2.The parameters are subject to change without notice.

EP
EPT20-20RASH
Electric
standing
2000
600
916 / 982 937 / 1003
1418 1438
690
1076 / 1614
556 / 134
Polyurethane / Polyurethane
Φ230x75
Φ85x70 / Φ83x115
Φ130x60
1 x +2 / 4 / 1 x + 2 / 2
510
370 / 430 / 515
125
1150 / 1470
85
1860 1930
710
730
55 x 170 x 1150 55 x 170 x 1220
540 / 600 / 685
30
1984
2184
1700
9.0 / 12.0
0.051 / 0.060
0.032 / 0.039
8 / 16
Electromagnetic
2.5
0.84
660 x 205 x 660
24 / 210
190
AC
Electronic
74



Option

Options	EPT20-20RA/20RAS	EPT25-25RAS	EPT20-20RASH
Fork length	● 850/1000/1300/1450/1600/1800/2000/2400mm	● 850/1000/1300/1450/1600/1800/2000/2400mm	● 850/1000/1300/1450/1600/1800/2000/2400mm
Fork spread	● 790/840mm	● 790/840mm	● 790/840mm
Driving wheel	● PU	● PU	● PU
high capacity battery	● 240Ah/270Ah/360Ah	● 240Ah/270Ah/360Ah	● 240Ah/270Ah/360Ah
lateral battery change	● 165Ah/210Ah/240Ah	● 165Ah/210Ah/240Ah	● 165Ah/210Ah/240Ah
Cold storage	●	●	●
battery indicator without hour meter	●	●	●
water auto-filling system	●	●	●
Special backrest	● 1220mm (48in)/1520mm (60in)	● 1220mm (48in)/1520mm (60in)	● 1220mm (48in)/1520mm (60in)