

LETS MAKE  
ZERO-EMISSION REAL

RentalMatch.eu

**RentalMatch Green Power**  
Dealer & Partner of JMG Cranes

**Sales & Service Office**  
Ecologieweg 16  
3343 LM Hendrik-Ido-Ambacht - Netherlands  
+31 (0) 78 204 92 60  
info@rentalmatch.eu

**Gijs van de Graaf**  
+31 651855113

**Dick van de Graaf**  
+31 613214166

**Production Plant**  
Via Sito Nuovo 14  
29010 Sarmato (PC) - Italy



vca✓

**RentalMatch**  
GREEN POWER

Electric  
Pick & Carry  
Cranes



**MC 300S (metric)**  
Max Capacity 30.000 kg

# MC 300S

- ✓ Radio-remote control on driving, steering, boom movements, Winch and other accessories
- ✓ Hydraulically telescoping proportional type boom
- ✓ Front-wheels drive with counter rotation
- ✓ Front compass type outriggers
- ✓ Hydraulic head
- ✓ Removable counterweights

### Options:

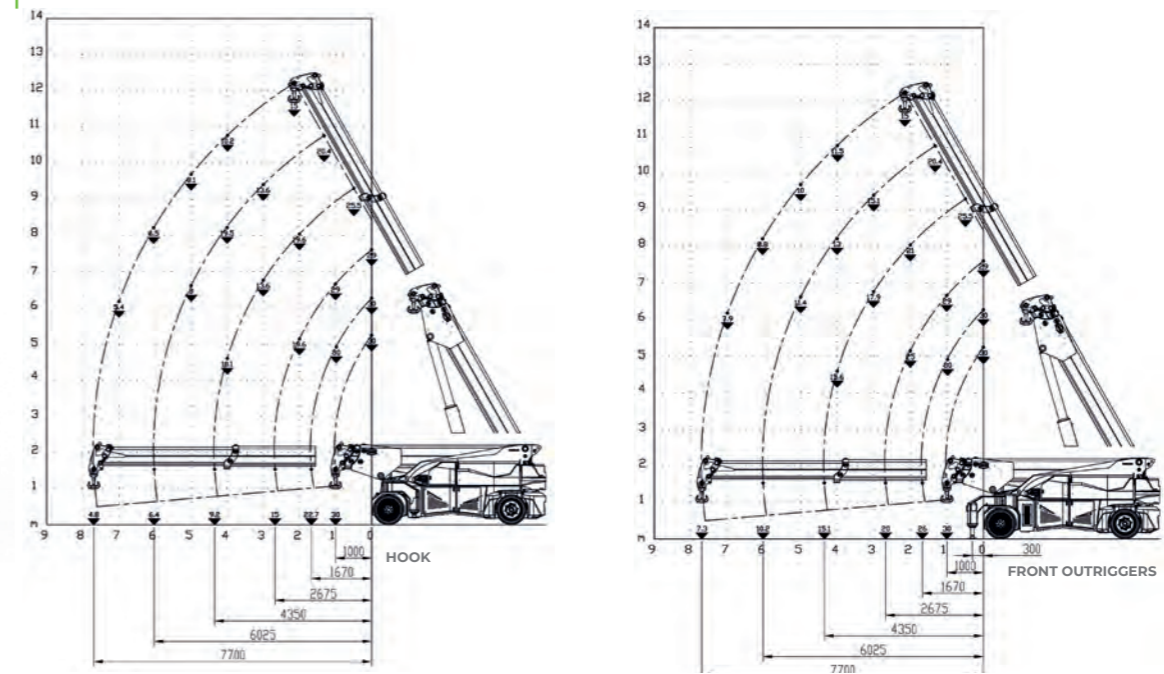
- Hydraulic winch
- Hydraulic jib with Hydraulic Extension
- Non-marking tires
- Hydraulic forks
- Man bucket
- Atex conversions
- Customized painting



### Technical features

Max Capacity kg	30.000	Front-wheels drive. 2 electric motors AC 12 kW 96V. Insulation class H	LMI Electronic safe load indicator and tilting moment limiter
	Dimension mm	Total Kg. 29.600 Removable counterweights Kg. 8.700	Automatic braking system on all wheels
96 V - 1125 Ah 8 working hours		Fabricated from preformed and welded quality steel plate	
Front n.4 superelastic 355x50-20" Rear n.4 superelastic 355x50-20"		+60°/-5°	
	Rear Steering angle -90°/+90°	Motor driven pump N°2 23 kW - 96 V AC, 16 kW - 96 V Insulation class H	

### Load charts



### EU Standards CE

	UNI ISO 4301-2: A1
	2006/42 CE-2014/30 UE-2014/35 UE- 2000/14 e and subsequent modifications
	EN 13000:2014 ANSI/ASME B30.5-2011 and subsequent modifications

### Dimensions

