

PETROL ENGINE DRIVEN WELDER

# EW240G

# EW240G

WWW.CN-KOVO.COM (EN) WWW.KOVO-POWER.COM (CN) WWW.CN-KOVO.COM (EN) WWW.KOVO-POWER.COM (CN) WWW.CN-KOVO.COM (EN) WWW.KOVO-POWER.COM (CN)

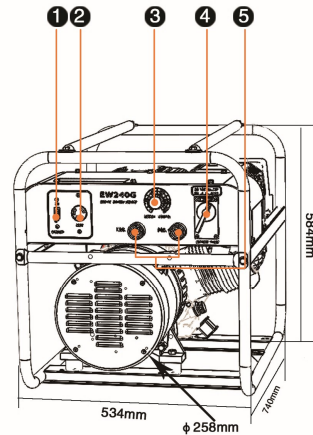
MOVE FOR WELDING™

## SPECIFICATIONS



DC WELDER		
Driven	-	Direct Coupling
Rated Output	KW	6.3
Rated Current	DCA	220-CC
Rated Voltage	DCV	28.8
Current Range	DCA	30-240
OCV	DCV	80
Duty Cycle	%	60
Type	-	Rectified DC output type
Applicable Electrode	mm	2.0-5.0
AUX. POWER		
Rated Output	KW	3
Rated Voltage	DCV	120V/220V/240V
Phase	-	Single
Power Factor	%	100
Rate	-	Continuous
ENGINE		
Model	-	HONDA GX390 (MITSUBISHI or KOHLER)
Type	-	4-stroke, air cooled
Cylinder arrangement	-	Single cylinder
Total displacement	cc	389
Rated Output	KW	9.6
Speed	rpm	3,600
Fuel	-	Gasoline
Start System	-	Recoil or Electric
OTHERS		
Fuel Tank Capacity	L	6.5 or 17L
Dimension (L×W×H)	mm	740×534×584
Net Dry Mass	Kg	85

\* Rated voltage for different country standards.  
 \* Specifications and design are subject to change without notice.  
 \* CV output option.



## A CLOSER LOOK OF PANEL

- ❶ POWER BREAKER;
- ❷ POWER RECEPTACLES;
- ❸ CURRENT CONTROL;
- ❹ CURRENT RANGE(HIGH/LOW);
- ❺ WELDING TERMINALS.

## FEATURES

- 13–14Hp branded engines, Honda, Mitsubishi, and Kohler
- Free maintenance, no windings rotor and brushless stator
- ECO running with auto-idle devices;
- Strong arc force for easy burning electrode;
- Polarity easy switched with DINSE type plug;
- High OCV 75V for easy arc start;
- Robust engineering tube frame

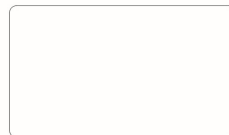


**FREE 25% EXTRA POWER**  
 13HP for 240 Amp & 3KW; 85KG, 0.23CBM; BRUSHLESS;  
 DIRECT COUPLING; CELLULOSE ELECTRODE

- DC Stick (SMAW)
- DC TIG (GTAW)
- DC MIG (GMAW)\*



DISTRIBUTED by



CAT. NO. DUJ13-20170520  
 PRINTED IN 2017



POWERED by  
**HONDA**