



MODELS TOUCAN 1100



OPERATOR'S AND SAFETY MANUAL

U.S.A.
JLG Industries, Inc.
1 JLG Drive
McConnellsburg
PA 17233-9533
Tel : (717) 485-5161
Fax : (717) 485-6417

C.E.
JLG Industries,
Kilmartin Place,
Tannochside Park
Uddingston, Scotland G71 5PH
Tel : +44(0)1698 811005
Fax : +44(0)1698 811055

C.E.
JLG Manufacturing Europe
Breitwaterstraat 12A
Oude Bunders 1034
B - 3630 Maasmechelen
Tel : +32(0)89 774 974
Fax : +32(0)89 777 427

FRANCE
JLG France SAS
Z.I. de Fauillet
BP 20 - 47400 TONNEINS
France
Tel : +33 553 84 85 11
Fax : +33 553 79 06 87

CE MODELS



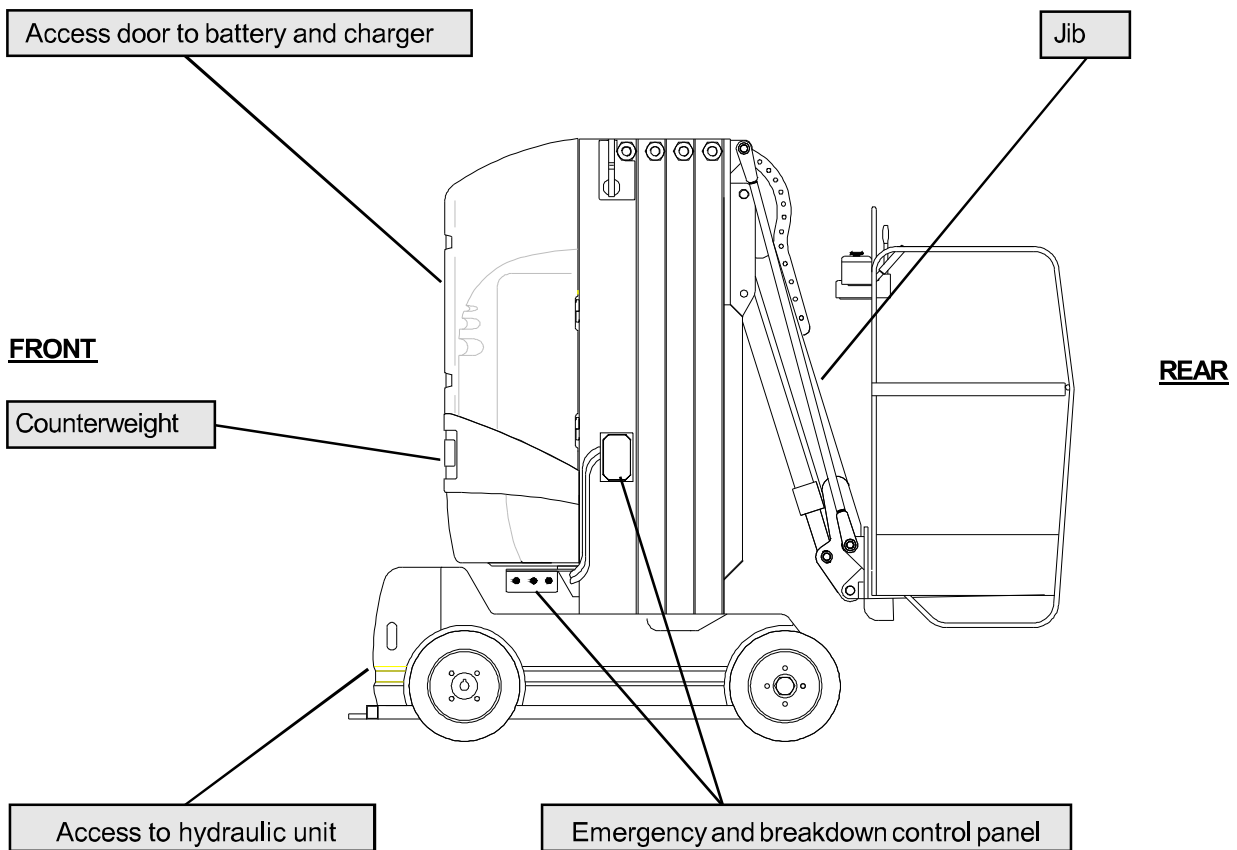
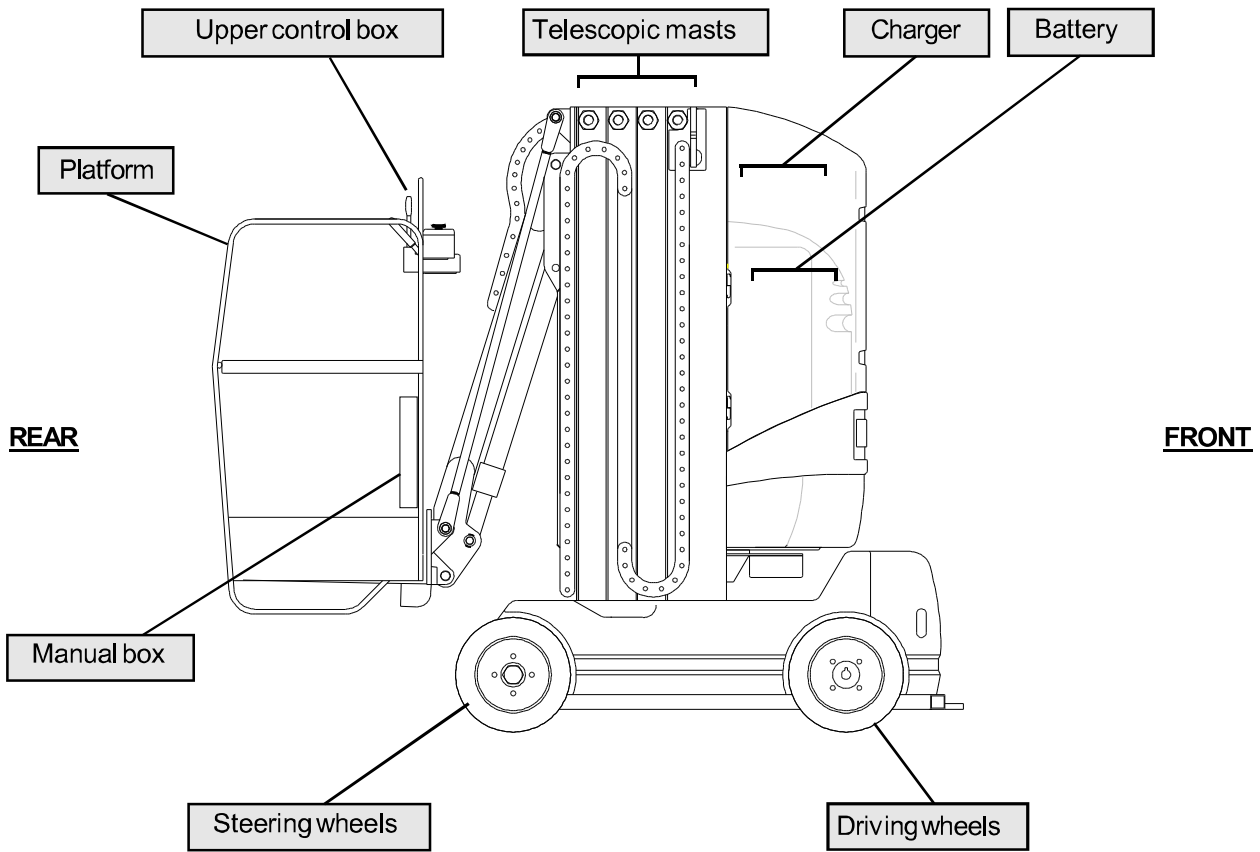
TECHNICAL SPECIFICATIONS			
Serial number	T 1100 A :	T 1100 B :	T 1100 C :
Made in	JLG France, Z.I. de Fauillet, B.P. 20 47400 Tonneins, France		
Weight	3500 kg	3540 kg	3500 kg
Maximal load	200 kg (2 persons + 40 kg materiel)	230 kg (2 persons + 70 kg materiel)	200 kg (2 persons + 40 kg materiel)
Maximal load on one wheel	2600 daN		
Manual force	40 daN		
Height	2,19 m		
Working height	11 m		
Vibration levels	- The weighed root mean square acceleration value to which the arms are subjected (control levers) is inferior to 2,5 m/s/s.		
	- The weighed root mean square acceleration value to which the feet are subjected (platform floor) is inferior to 0,5 m/s/s.		
Acoustic pressure	- The equivalent continuous 'A' weighed sound pressure level at the work station is inferior to 70 dB(A).		
	- The measure has been made by placing the sonometer at 1,60 m above the platform floor.		
	- The indicated value does not include the motion alarm.		
Maximum hydraulic pressure	23 Mpa		
Voltage	24 V		
Gradeability	10%		
Maximum wind speed	30 km/h	0 km/h	30 km/h
Maximum tilt	2°		



Cert. N° FM 40826

MA0138-03

2.1. General description.



2.2.2 Toucan 1100 B, Toucan 1100 C.

