

# SW405K5

## PRODUCT SPECIFICATIONS



### STANDARD FEATURES

- Engine: Deutz TCD 7.8 (ELI Stage 5)
- Boom Suspension System
- Locking Differential Axle
- Automatic Transmission Kick Down
- Bucket Self-Leveling and Return to Dig

- SANYLive Telematics
- Single Joystick (bntrol)
- Third Function Hydraulics
- Reversible fan
- 360° View Camera

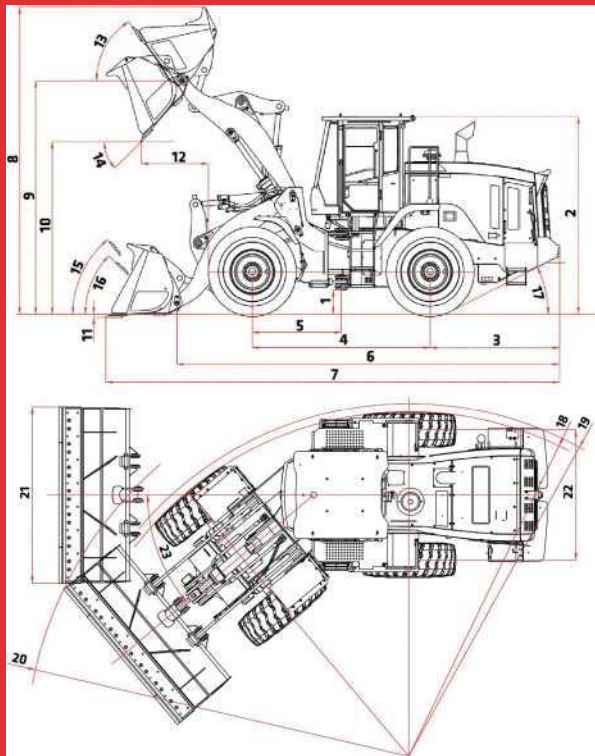
Cross Power  
**195 kW**

Bucket Capacity  
**3.2 m<sup>3</sup>**

Operating Weight  
**18 500 kg**

Straight Turn Tipping Load  
**14500 kg**

Full Turn Tipping Load  
**13100 kg**



## Machine Parameters

WEIGHT		
Operating Weight		18 500 kg
ENGINE		
Max Gross Power		195 kW
Rated power		170 kW
Max Gross Torque		1308 Nm
Displacement		7.8 L
OPERATING		
Bucket Capacity		3.2 m <sup>3</sup>
Breakout Force		180 kN
Tipping Load Straight		14 500 kg
Tipping Load @ Full Turn		13100 kg
Clearance (full lift 45° dump)		3100 mm
Reach (full lift 45° dump)		1185 ee
HYDRAULIC SYSTEM		
Max Flow		306.6 LPM
Max Pressure		28 MPa

## OVERALL DIMENSIONS

	STANDARD
1 Ground clearance	430 mm
2 Height to Top of Cab	3 580 mm
3 Center Line of Rear Axle to Edge of Counterweight	2 335 mm
4 Wheelbase	3 200 mm
5 Center Line of Front Axle to Center Pivot	1 600 mm
6 Shipping Length without Attachment	7 040 mm
7 Shipping Length with Bucket	8180 mm
8 Max. Dump Height	5 415 mm
9 Hinge Pin Height at Max. Lift	4145 mm
10 Dump Clearance at Max. Lift	3100 mm
11 Dig Depth, Level Bucket	30 mm
12 Reach at Max. Lift and 45° Discharge	1185 mm
13 Roll Back at Max. Lift	58°
14 Dump Angle at Max. Lift and Dump	45°
15 Roll Back at Carry Height	50°
16 Roll Back at Ground	45°
17 Tail Angle to the Rear Wheel	27°
18 Clearance Circle to Outside of Tires	5 635 mm
19 Clearance Circle to Counterweight	5 911 mm
20 Max. Circle	6 465 mm
21 Width of the Bucket	3 015 mm
22 Width	2 200 mm
23 Articulation Angle	+/-40°

In the interest of continual equipment development, SANY reserves the right to change these specifications at any time without prior notification.

## HYDRAULIC CYCLE TIMES

Raise	5.4 sec
Dump	1.9 sec
Float Down	3.3 sec
Total Cycle Time	10.6 sec

## SERVICE CAPACITIES

Fuel Tank	300 L
Cooling System	43 L
Engine Crankcase	23 L
Transmission	35 L
Front Axle	28 L
Rear Axle	28 L
Hydraulic Tank	290 L
DEF Tank	20 L

## TRANSMISSION

Shift Modes	Automatic, Manual, Kick Down
Forward Gear 1-4	7.3/13.5/26/40 km/h
Reverse Gear 1-3	7.3/13.5/26 km/h

## POWER TRAIN

Front Axle	Fixed
Traction Aid	Manual Differential Lock
Rear Axle	Oscillating
Traction Aid	Open Differential
Service Brake	Wet Disk
Parking Brake	Disk Brake

# PRODUCT EQUIPMENT

Standard • Optional o

## ENGINE

Exhaust aftertreatment (DPF+SCR)  
Keyless start  
Engine emergency stop (in cab)  
P/E Patten  
Cold start aid (air pre-heated)  
Hydraulic-driven fan, regulated by temperature (Reversible rotation, manual)

## POWERTRAIN

Gear selector lever (Steering-column)  
Fully automatic shifting 1-4, H/L Patten & Manual  
Automatic Transmission Kick Down  
Clutch-cutoff  
Service brake, 4-wheel, wet-type, hydraulic brake  
Parking brake, Electronically controlled, hydraulic caliper disc brake  
Differential lock front axle (Eannual)

## HYDRAULIC

Full variable load-sensing system with steering priority Single-lever joystick with F/R+KD+horn+grd function valve roller) Secondary steering  
Dual brake pedals  
3rd function valve  
Hydraulic quick coupler lines  
Ride control system(Boom suspension system)  
Boom kick-out  
Bucket self-leveling and return to dig

## WORK TOOLS

Bucket volume 3.2m<sup>3</sup>(Cutting edge, bolt-on) o  
Quick coupler o

## CABIN

Cab with RO PS / FOPS certification  
Steering wheel with turning signal control lever  
Emergency hammer  
Rear window, heated  
Rear mirrors, outside (2, foldable, heated) ,inside(i)  
Sun visor, front window  
Air-Suspension seat (cloth, heated)  
Seat belt, 2-point retractable  
Armrest adjustable in multiple directions  
Rear-view camera  
360° view camera  
7 inch smart color display  
Auto airconditioner

## ELECTRICITY

Battery main switch  
12-volt socket  
Cigarette lighter, 24V USB socket  
Bluetooth radio  
Back up alarm  
Travel acoustic alarm  
Travel strobe light alarm

\*Standard and optional equipment may vary. Consult your local dealer for details\*

# ANY



**SANY**

**QUALITY CHANGES THE WORLD**

**SANY ITALIA S.R.L.**

VIA DRUENTO 254/B VENARIA REALE (TO) - ITALY TEL. **0118002130**

[HTTPS://WWW.SANYITALIA.COM](https://www.sanyitalia.com)

October 2022 Edition

Materials and specifications are subject to change without notice. Featured machines in photos may include additional equipment. See your local dealer for available options please.