

Machinery Removal Ma

G70 Pick & Carry Crane [7.0t x 0.8m]

The G70 is a durable, versatile pick and carry crane that is designed for indoor and outdoor use, providing up to 7 tonnes of lifting power.

With a maximum lifting height of 6m (7.4m with optional searcher hook), and 180° rear hydraulic steering, the G70 is indispensable for lifting and carrying heavy loads in congested spaces.

Optional equipment includes auto-levelling telehandler forks, low marking tyres, full winch system, joystick for proportional control of boom movements and hydraulic searcher hook.

Reference Codes

- MCG70
- MCG70-B



Optional manual searcher hook
(Capacity: 2000kg)

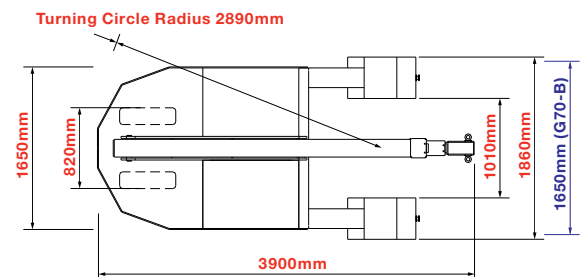
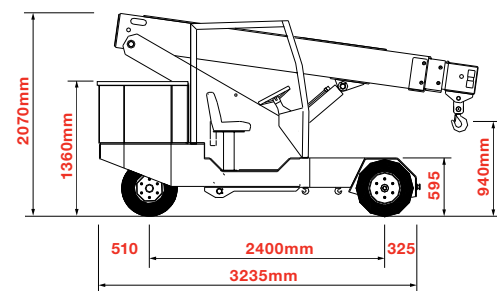


Optional full winch system
(Capacity 7000kg)

Technical Specification

Capacity	7.0t x 0.8m
Maximum working radius	3.8m (5.9m with searcher hook)
Maximum lifting height	6.0m (7.4m with searcher hook)
Dimensions	3900mm (l) x 1860mm (w) x 2070mm (h)
Weight	6100kg
Boom length	3.38 - 6.38m
Boom type	3 section box boom (1+2+3 hydraulic)
Derricking angle	-8° to 45°
Steering	rear hydraulic 180°
Tyres	2 solid rear, 4 solid front
Diesel engine option	Yanmar 3 cylinder
Maximum output	27kW
Tank capacity	50 litres
Travel speed	14km/h
Electric power option	8kW
Power source	48v rechargeable battery
Battery charger	415v
Travel speed	7km/h
Gradeability	±11.3° (without load)
Standard equipment	Digital safe load indicator, joystick controlled proportional distributor, audio-visual overload alarm, reversing alarm, overload warning lamps
Optional equipment	Diesel engine, 2t manual searcher hook, 1.5t hydraulic searcher hook, auto-levelling telehandler forks, low marking tyres, 7t full winch system

Technical Data (approx. mm)





de Easy



G70 Pick & Carry Crane

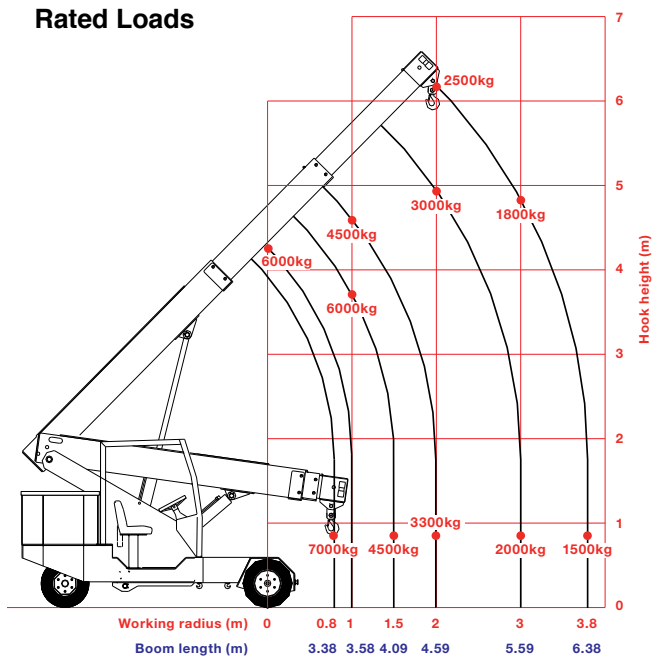
Searcher Hook Safe Working Loads

Hook	Max. Capacity	Max. Lift Height	Max. Radius
Manual searcher hook	2000kg	7.5m	5.9m
Hydraulic searcher hook	1500kg	8.5m	6.9m
Winch system	7000kg	5.5m	3.8m

Optional fork lift attachment



Rated Loads



Manual Searcher Hook Rated Loads

