

Zero Emissions, Batter

G35 Pick & Carry Crane [3.5t x 0.4m]

A great alternative to fork lifts or carrydeck cranes, the G35 pick and carry crane boasts 3.5 tonnes of lifting power without the need for outriggers.

This battery powered compact crane is easy to operate and highly manoeuvrable with 180° rear hydraulic steering.

An optional searcher hook is available (1200kg capacity) which increases the overall maximum lifting height to 6.3m.

Reference Code

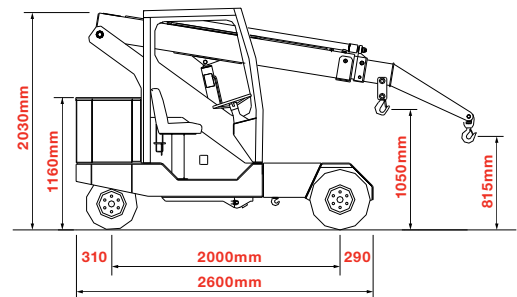
MCG35



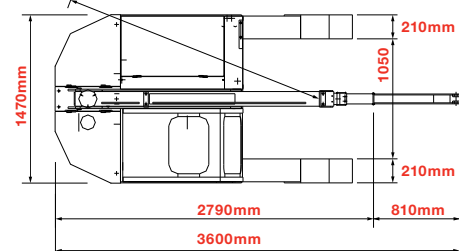
Technical Specification

Capacity	3.5t x 0.4m
Maximum working radius	3.4m (4.2m with searcher hook)
Maximum lifting height	5.9m (6.3m with searcher hook)
Dimensions	standard 2790mm (l) x 1470mm (w) x 2030mm (h) with fly jib 3600mm (l) x 1470mm (w) x 2030mm (h)
Weight	2900kg
Boom length	2.5 - 5.5m
Boom type	3 section box boom (1+2 hydraulic, 3 manual)
Derricking angle	-9° to 54°
Steering	rear hydraulic 180°
Tyres	1 solid rear, 2 solid front
Electric power option	4.5kW
Power source	48v rechargeable battery
Battery charger	415v
Travel speed	7km/h
Gradeability	±11.3° (without load)
Standard equipment	Digital safe load indicator, audio-visual overload alarm, reversing alarm, overload warning lamps
Optional equipment	1200kg searcher hook, low marking tyres, full winch system

Technical Data (approx. mm)



Turning Circle Radius 2330mm



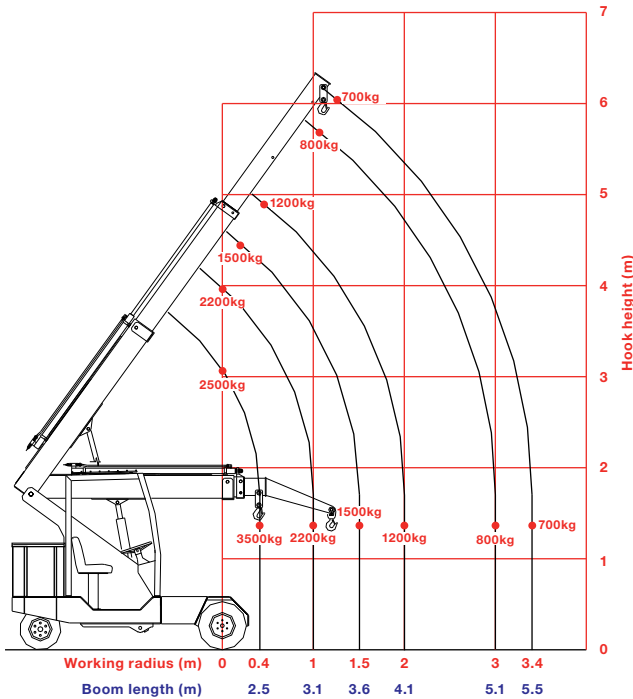


Optional searcher hook
(Capacity: 1200kg)



Digital Safe Load Indicator as standard

Rated Loads



Searcher Hook Rated Loads

