

LETS MAKE  
ZERO-EMISSION REAL

RentalMatch.eu

RentalMatch Green Power  
Dealer & Partner of JMG Cranes

**Sales & Service Office**

Ecologieweg 16  
3343 LM Hendrik-Ido-Ambacht - Netherlands  
+31 (0) 78 204 92 60  
info@rentalmatch.eu

**Gijs van de Graaf**

+31 651855113

**Dick van de Graaf**

+31 613214166

**Production Plant**

Via Sito Nuovo 14  
29010 Sarmato (PC) - Italy



vca<sup>v</sup>

**RentalMatch**  
GREEN POWER

Electric  
Pick & Carry  
Cranes



**L120 (metric)**

Max Capacity 12.000kg

**L I G E**

## LIGE 120

- ✓ Electric powered with zero emissions
- ✓ 8 working hours
- ✓ Wide and ergonomic cabin
- ✓ Front wheels drive with counter rotation
- ✓ Compactness and agility
- ✓ Rear steering

### Options:

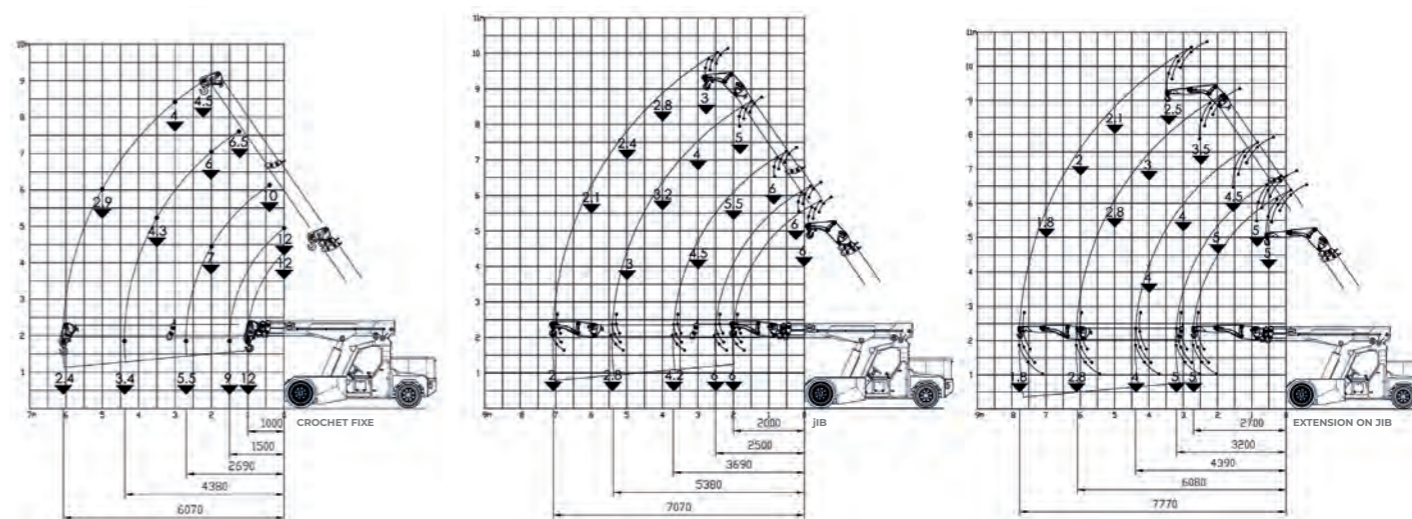
- Hydraulic winch
- Bendable manual JIB with manual extension
- Hydraulic JIB
- Hydraulic fork
- Non-marking tires
- ATEX conversions



### Technical features

Max Capacity kg	12,000	Front-wheels drive. N°2 electric motors AC 8.5 kW 80V. Insulation class H	<b>LMI.</b> Electronic safe load indicator and tilting moment limiter
	Dimensions mm	Total Kg. 12.300	Service brake: hydraulic with foot control. Parking and emergency brake: hydraulic with automatic control.
Dimensions mm		80 V - 840 Ah 8 working hours	Self-supporting steel structure bent and welded
	Dimensions mm	Front nr. 4 superelastic 4x300-15" Rear nr. 2 superelastic 2x250-15"	+55°/-15°
Dimensions mm		Rear Steering angle -90°/+90°	Motor driven pump 1x20kW - 80 V AC, Insulation class H

### Load charts



### EU Standards CE

	UNI ISO 4301-2: A1
	2006/42 CE-2014/30 UE-2014/35 UE- 2000/14 and subsequent modifications
	EN 13000:2014 ANSI/ASME B30.5-2011 and subsequent modifications

### Dimensions

