



FORWARDER

LVS 511

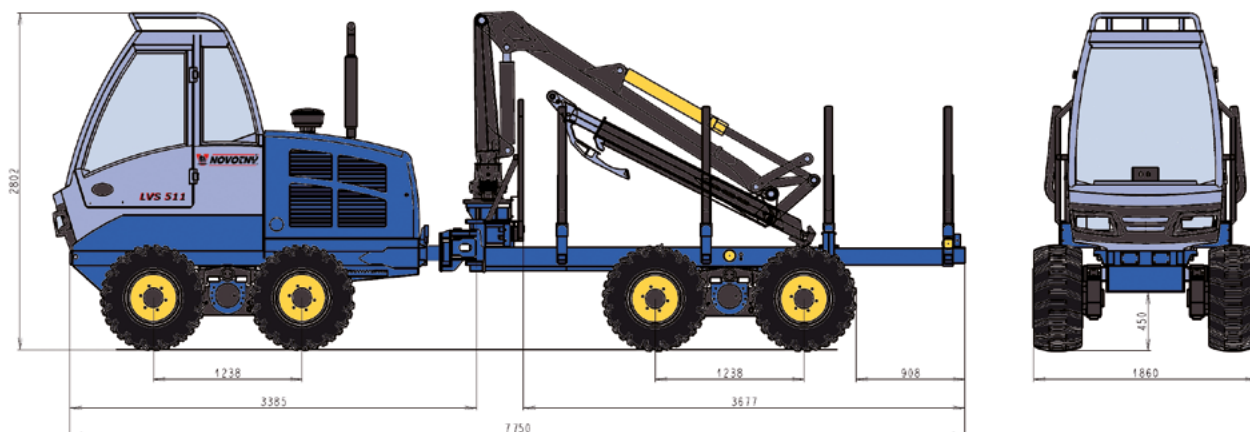


- Fuel economic diesel engine
- Narrow and stable chassis
- Perfect manoeuvrability in the forestry
- 8 wheel drive
- Comfort and spacious cabin
- Quick and precise crane
- Minimum of electronic
- Easy maintenance

www.loader.cz

| | | | |
|------------------------|---|----------|------------|
| Forwarder type | LVS 511 | | |
| Engine | FPT | | |
| Type of engine | F34 | | |
| Engine output | 55 kW / 2300 rpm | | |
| Transmission | Hydrostatic | | |
| Traction | 8x8 | | |
| Hydraulic system | Bosch Rexroth | | |
| Locking | Hydraulic – flow divider | | |
| Number of speed | 2 + regulation | | |
| Tires | 400/60-15,5 (500/40-17,5) | | |
| Electric system | | | |
| Voltage | 12 V | | |
| Alternator | 90 A | | |
| Working lights | 8 x 70 W | | |
| Crane | MOWI P25 | MOWI P30 | Moheda M40 |
| Reach [m] | 5,2 | 5,7 | 6,5 |
| Lifting capacity [kg] | 420 | 450 | 450 |
| Telescope | - | - | YES |
| Dimensions | | | |
| Width | 1.860 mm (2.060 mm) | | |
| Height | 2.960 mm | | |
| Lenght | 6.950 – 7.750 mm | | |
| Ground clearance | 450 mm | | |
| Machine weight | 4.475 – 5.500 kg according to equipment | | |
| Loading capacity | 5.000 kg | | |
| Cabin | Spacious and safety cabin with perfect visibility. Comfortable revolving seat with joysticks, radio with CD | | |

We are offering a wide range of optional equipment.



Strojírna Novotný s.r.o.

Vitošov 50, 789 01 Hrabová | Czech republic

Phone/Fax +420 583 414 579 | Mob: +420 733 134 428

Email: novotny@loader.cz

www.loader.cz

